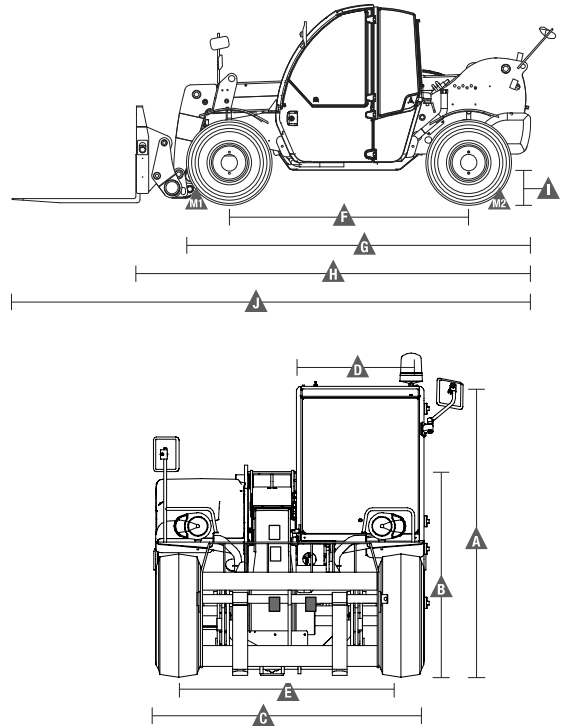


### Specifications

Model	GTH™-2506	
Measurements	Metric	Imperial
Lifting height maximum	5.79 m	19 ft
Lifting capacity maximum	2,500 kg	5,511 lbs
Lift capacity at maximum height	2,000 kg	4,409 lbs
Lift capacity at maximum reach	900 kg	1,984 lbs
Forward reach maximum	3.35 m	10 ft 12 in
Reach at maximum height	0.60 m	2 ft
<b>A</b> Height	1.92 m	6 ft 4 in
<b>B</b> Height at steering wheel	1.25 m	4 ft 1 in
<b>C</b> Width	1.81 m	5 ft 11 in
<b>D</b> Cab width	0.86 m	2 ft 10 in
<b>E</b> Track	1.5 m	4 ft 11 in
<b>F</b> Wheelbase	2.36 m	7 ft 9 in
<b>G</b> Length at front wheels	3.35 m	10 ft 12 in
<b>H</b> Length at fork-holder plate	3.84 m	12 ft 7 in
<b>I</b> Ground clearance	0.33 m	1 ft 1 in
<b>J</b> Overall length	5.04 m	16 ft 6 in
<b>M1</b> Obstruction angle		90°
<b>M2</b> Departure angle		60°

### Measurements



### Productivity

Inside/outside turning radius	1.6 m/3.25 m	5 ft 3 in/10 ft 8 in
Break-out force*	3,700 kg	8,157 lbs
Towing capacity at dynamometer**	4,649 kg	10,250 lbs
Drive speed max.	23 km/h	14 mph
Fork-holder plate rotation		130°
Tyres (DIN 70361)	12-16.5" PR10 8 holes wheel disc	
Lifting/lowering speed**	8 sec./7 sec.	
Extension/retraction speed**	8 sec./4 sec.	

### Power

Engine****	Deutz TD 2.9 L4, 4-cylinder diesel 55.4 kW (74 hp), stage IIIA Deutz TD 2.9 L4, 4-cylinder diesel 55.4 kW (74 hp), stage V	
Transmission	Hydrostatic variable displacement pump linked to variable displacement motor. Both piston type.	
Service pumps	Boom & Control system gear pump type: 280 Bar, 70 L/min.	
Petrol tank capacities	60 L	13 gal
Engine oil capacities	8 L	2.11 gal
Hydraulic oil tank capacities	65 L	14 gal

Weight\*\*\* 4,580 kg 10,100 lbs

### Standards Compliance

EU Machinery Directive 2006/42/EC and CEN Rough-Terrain Truck Standard EN 1459-1:2017  
 Operating cab conforms to ISO3471 (ROPS) and ISO3449 (FOPS)  
 Low emission engine conforms to EU Directive 97/68/EC Stage III, 2004/26/EC and European Emissions Regulation (EU) 2016/1628 Stage V  
 Noise emission conforms to EU Directive 2000/14/EC (LpA=83 dB, LwA=103dB)  
 Vibration levels according to EN13059:2002 (hand-arm <2.5m/s<sup>2</sup>, whole body 0.44m/s<sup>2</sup>)

\* With 800 L shovel SAE J 732/80

\*\* Without load

\*\*\* Weight will vary depending on options and/or country standards

\*\*\*\* Stage IIIA is not CE certified