

# VERTICAL MAST LIFT

# M1230E

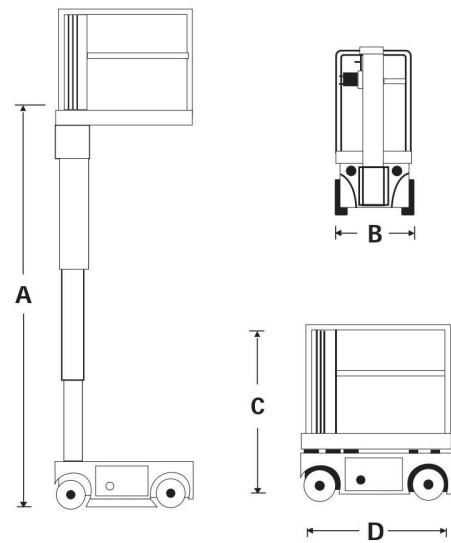
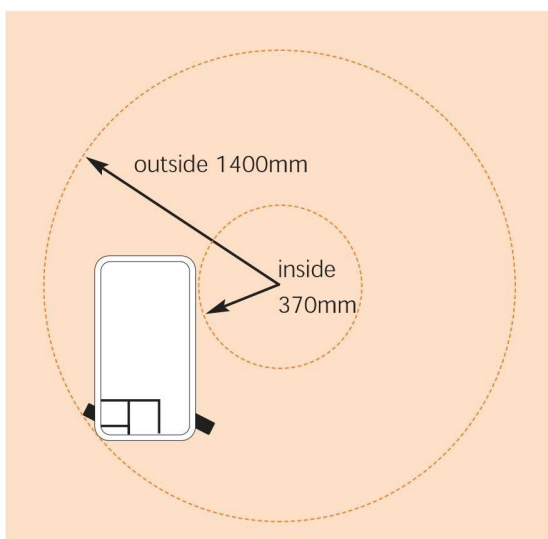
DIMENSIONS		M1230E
Max. working height		5.6m
Max. platform height (A)		3.63m
Platform size		0.74m x 0.96m
Overall width (B)		0.76m
Overall length (D)		1.36m
Stowed height (C)		1.7m
Ground clearance		76mm

PERFORMANCE	
Platform capacity (SWL)	227kg
Max. drive height	3.7m
Max. drive speed (stowed)	3.2km/h
Max. drive speed (elevated)	0.65km/h
Raise/lower time	18/25 sec
Gradeability	25%
Max. operating slope (side to side)	1.5°
Max. operating slope (front to back)	2°
Inside turning radius	0.37m
Outside turning radius	1.4m
Tyres	305mm. dia. solid rubber, non-marking
Parking brake	2 wheel, spring-applied, hydraulically-released with manual overdrive
Drive system	dual front hydraulic motors
Controls	proportional

POWER	
Power source	24V 4hp DC electric motor 4-220 Ah batteries
Battery charger	90V - 240V - 18 amp automatic

WEIGHT	
Weight	780kg

## TURNING RADIUS



## STANDARD FEATURES

- Proportional controls
- Descent and tilt alarms
- High amp hour rating gives long usage between charges
- Emergency lowering at chassis controls
- Non-marking, solid rubber tyres
- Power line to platform
- Forklift pockets
- Saloon door-style platform entry
- Horn
- Tie down points
- 2 persons + equipment capacity indoors
- 1 person + equipment capacity outdoors
- Selectable motion alarm
- CE approved