



A TEREX BRAND

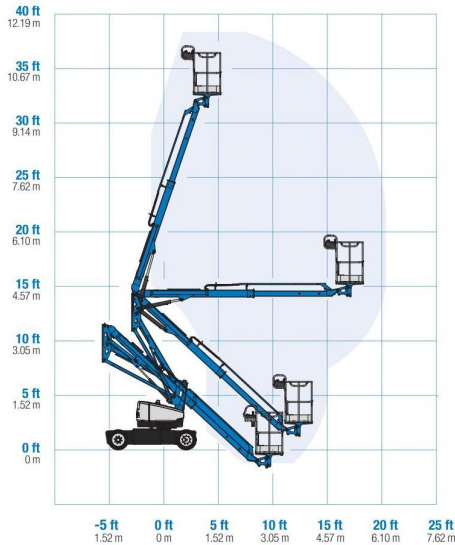
Self-Propelled Articulating Booms

Z™ -33/18

Range Of Motion Z-33/18

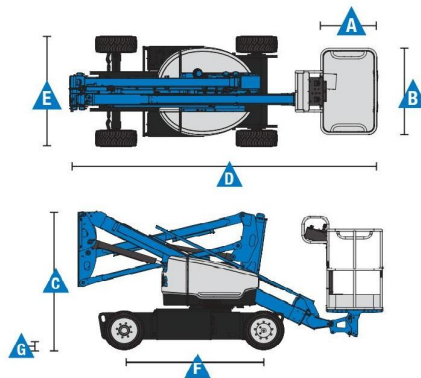
Specifications

Model	Z-33/18
Measurements	Metric
Working height maximum*	12 m
Platform height maximum	10 m
Horizontal reach maximum	5.57 m
Up and over clearance maximum	4.28 m
A Platform length	0.76 m
B Platform width	1.17 m
C Height - stowed	1.98 m
D Length - stowed	4.17 m
E Width	1.50 m
F Wheelbase	1.90 m
G Ground clearance - center	15.2 cm



Productivity

Lift capacity	200 kg
Turntable rotation	400° non-continuous
Turntable tailswing at counterweight	zero
Turntable tailswing - riser up	0.15 m
Turntable tailswing - riser down	1.16 m
Drive speed - stowed	6 km/h
Drive speed - raised retracted**	0.76 km/h
Drive speed - raised extended**	0.23 km/h
Gradeability - stowed***	30%
Turning radius - inside	1.9 m
Controls	24V DC proportional
Tires (solid rubber, non-marking, treaded)	56x23x43 cm



Power

Power source	48 V DC (eight 6 V X 8 batteries 315 Ah capacity)
Drive system	48 V 3 phase AC
Auxiliary power unit	24 V DC
Hydraulic tank capacity	20.8 L

Weight****

3,665 kg

* The metric equivalent of working height adds 2 m to platform height.

** In lift mode (platform raised), the machine is designed to operate on firm, level surfaces only.