

Genie Self-Propelled Articulating Booms

A TEREX BRAND

Z™ -30/20N & Z™ -30/20N RJ

Specifications

Models	Z-30/20N	Z-30/20N RJ
Measurements	Metric	Metric
Working height maximum*	11.14 m	10.89 m
Platform height maximum	9.14 m	8.89 m
Horizontal reach maximum	6.53 m	6.25 m
Up and over clearance maximum	3.86 m	3.86 m
A Platform length	0.76 m	0.76 m
B Platform width	1.17 m	1.17 m
C Height - stowed	2 m	2 m
D Length - stowed	5.11 m	5.31 m
E Storage height	2.08 m	2.24 m
F Storage length	3.5 m	3.66 m
G Width	1.19 m	1.19 m
H Wheelbase	1.58m	1.58m
A Ground clearance - center	0.09 m	0.09 m

Productivity

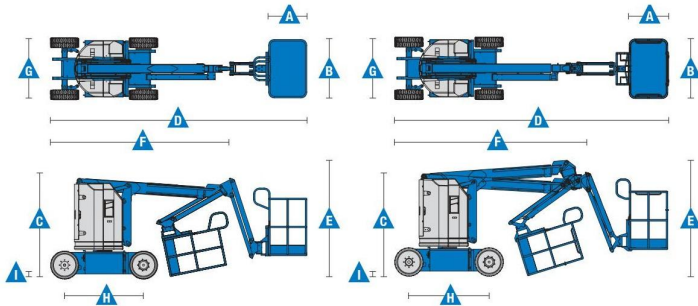
Lift capacity	227 kg	227 kg
Platform rotation	180°	180°
Vertical jib rotation	139°	139°
Horizontal jib rotation	—	180°
Turntable rotation	355° non-continuous	355° non-continuous
Turntable tailswing	zero	zero
Drive speed - stowed	4.8 km/h	4.8 km/h
Drive speed - raised**	1.1 km/h	1.1 km/h
Gradeability - stowed***	35%	35%
Turning radius - inside	1.65 m	1.65 m
Turning radius - outside	3.23 m	3.23 m
Controls	24 V DC proportional	24 V DC proportional
Tires - solid non-marking	.56x.18x.45 m	.56x.18x.45 m

Power

Power source	48 V DC (eight 6 V batteries 390 Ah capacity)	48 V DC (eight 6 V batteries 390 Ah capacity)
Auxiliary power unit	24 V DC	24 V DC
Hydraulic tank capacity	15.1 L	15.1 L

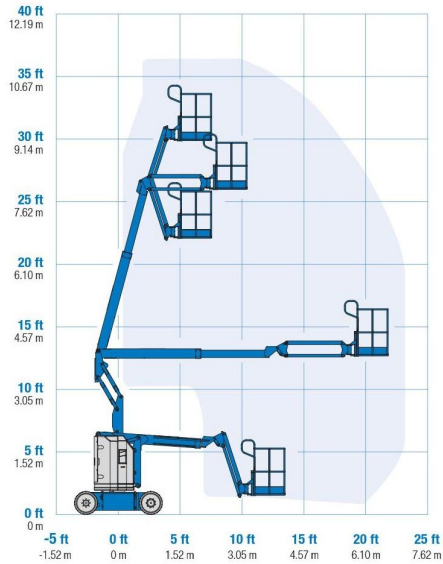
Weight****

6,427 kg 6,450 kg



* The metric equivalent of working height adds 2 m to platform height.
** In lift mode *(platform raised), the machine is designed to operated on firm, level surfaces only.

Range Of Motion Z-30/20N



Range Of Motion Z-30/20N RJ

