

## Specifications

MODEL	GTH™-4013 EX
MEASUREMENTS	Metric
Lifting height maximum with stabilisers	12.99 m
Lifting height maximum without stabilisers	12.80 m
Lifting capacity maximum	4,000 kg
Lift capacity at maximum height	3,000 kg
Lift capacity at maximum reach	1,250 kg
Forward reach maximum	9.08 m
Reach at maximum height	1.30 m
<b>A</b> Height	2.40 m
<b>B</b> Height at steering wheel	1.60 m
<b>C</b> Width	2.32 m
<b>D</b> Cab width	93 cm
<b>E</b> Track	1.92 m
<b>F</b> Wheelbase	2.95 m
<b>G</b> Length at front wheels	4.79 m
<b>H</b> Length at fork-holder plate	6.06 m
<b>I</b> Ground clearance	39 cm
<b>J</b> Overall width, stabilisers extended	2.89 m
<b>M1</b> Obstruction angle	40°
<b>M2</b> Departure angle	46°

PRODUCTIVITY	
Inside/outside turning radius	2.42 m/4.65 m
Break-out force (with 800 L shovel SAE J 732/80)	6,000 kg
Towing capacity at dynamometer*/**	7,500 kg/5,835 kg
Drive speed max.	35 km/h
Fork-holder plate rotation	138°
Chassis levelling on front axle	+/- 7°
Floating forks	L 1,200 mm Section 120 x 50 mm
Tyres (DIN 70361)	405/70 20" PRT4 8 holes wheel disc
Lifting/lowering speed**	11 sec./7 sec
Extension/retraction speed**	17 sec./11 sec.

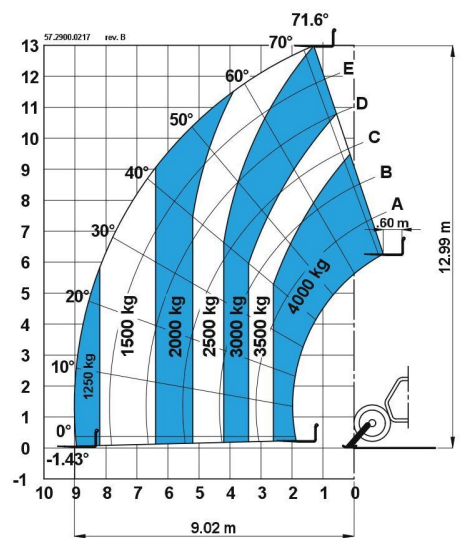
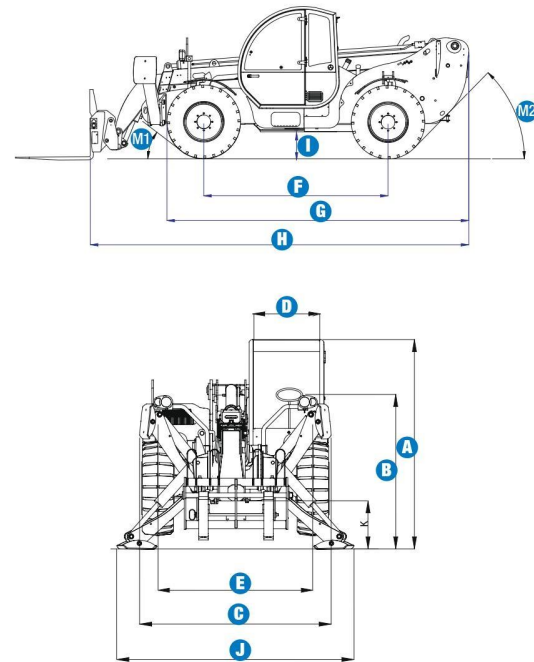
POWER	
Engine	Perkins 1104 D-44T 4-cylinder Turbo diesel 74 kW (99 hp), Tier 3
Tank capacities	
Petrol	135 L
Engine oil	7 L
Hydraulic oil	150 L

SOUND LEVEL	
Sound pressure level (operator position)	83 dB (LpA)
Guaranteed sound power level	103 dB (LwA)

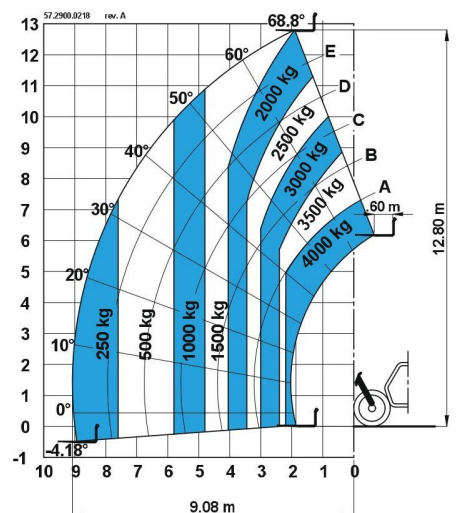
VIBRATION LEVEL	
Vibration level hand-arm system	<2.5 m/s <sup>2</sup>
Vibration level whole body	0.23 m/s <sup>2</sup>

WEIGHT	
Weight***	10,100 kg

\*Max. load, \*\*Without load  
\*\*\* Weight will vary depending on options and/or country standards



Lift capacity chart (with stabilisers)



Lift capacity chart (without stabilisers)