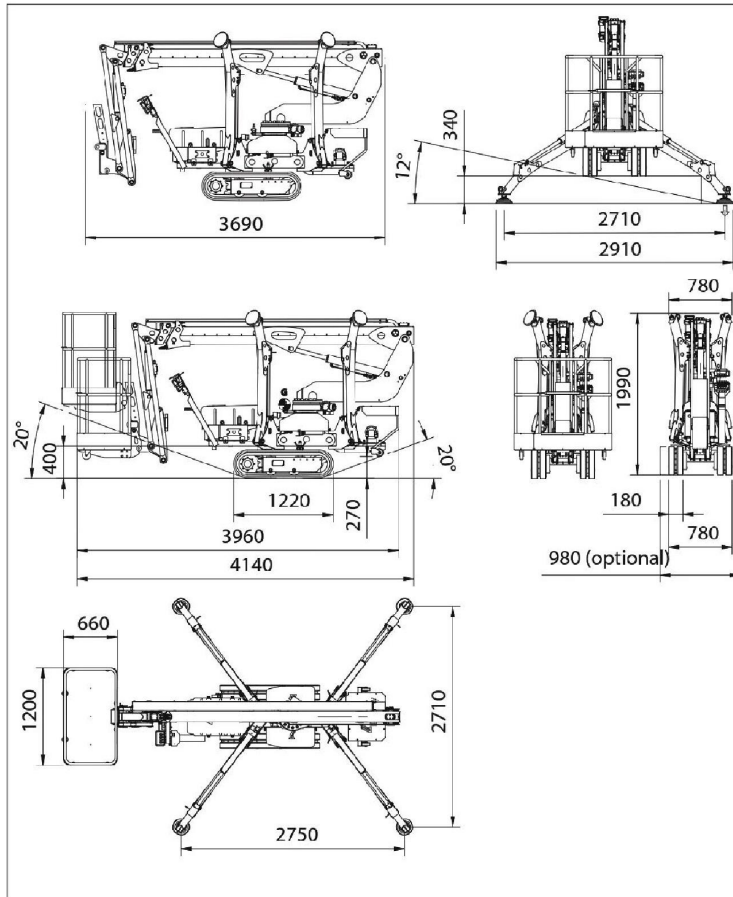


## OVERALL DIMENSIONS



## WORKING ENVELOPE

